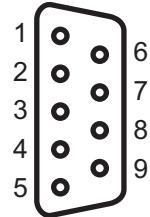


User Guide Comlink iModem 3G

Modem D-Sub Header Pinout	Direction	EIA-232 Signal
1	Out	CD (Carrier Detect)
6	Out	DSR (Data Set Ready)
2	Out	RD (Receive Data)
7	In	RTS (Request To Send)
3	In	TD (Transmit Data)
8	Out	CTS (Clear To Send)
4	In	DTR (Data Terminal Ready)
9	Out	RI (Ring Indicator)
5		SG (Signal Ground)

Modem D-Sub Header

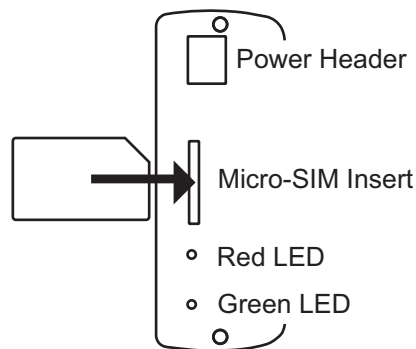
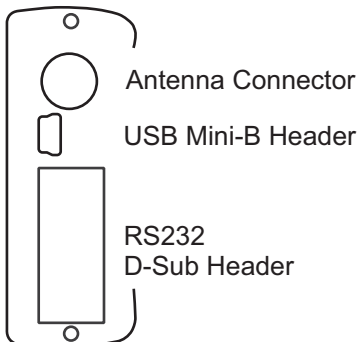


Power Header Pinout	Function
-	9-28V AC/DC Return/GND
+	+9-28V AC/DC

Power Header



Red LED	Green LED	Function
Off	Off	Unit switched off
50/50 flash	-	Searching for network
3s flash	On	Logged on, signal high
3s flash	Flash	Logged on, signal medium
3s flash	Off	Logged on, signal low
On	-	Online, communicating



User Guide Comlink iModem 3G

Installation

- Make sure that you have a subscription that allows data traffic/surf.
- Insert a Micro-SIM, make sure that the SIM-card lock is not activated unless your equipment supports it. A SIM-card cutter can be used to convert a mini-SIM to a micro-SIM if necessary.
- Connect the antenna.
- Power on the modem.
- Red LED should flash slowly (50/50) during startup and switch to 3s flash when logged on to provider.
- Green LED will light up when signal strength is high enough for reliable data transfer. Flashing green LED indicates that communication is possible but will be less reliable.
- Change antenna position or type to get a green light.
- Use Comlink drivers for Windows if applicable or CDC_ACM for Linux.
- Remove AT&F if present in the modem init strings of your equipment or the modem will not be able to respond to text queries such as "?".



Text features

- Send a ? to the modem for signal strength information, the modem will reply with the information.
! Note that the signal strength is a negative value, the closer to zero the better reception. The value is updated every 30s, please wait before querying again.

Example (SMONI string is intended for advanced use, please refer to AT-Commands Manual):

Connection: 3G

Signal: Very Good (-74 RSCP)

Describes connection type 2G/3G

Signal strength indication, lower number equals better reception

SMONI: 3G,10812,306,-2.0,-74,240,05,0087,08701D4,16,41,NOCONN

- A predefined text can be sent at power on, please consult Comlink support team for info.

SuperCap Version

- In the SuperCap Version a predefined text can be sent when the power supply is lost. Please consult Comlink support team for info.

Network Keep Alive

- The modem has persistent features to ensure maximum uptime in the GSM-network.